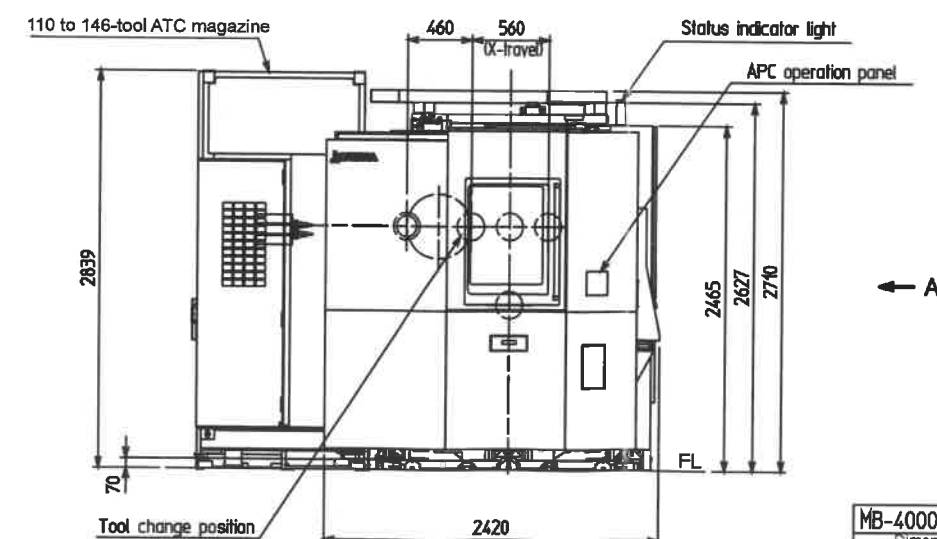
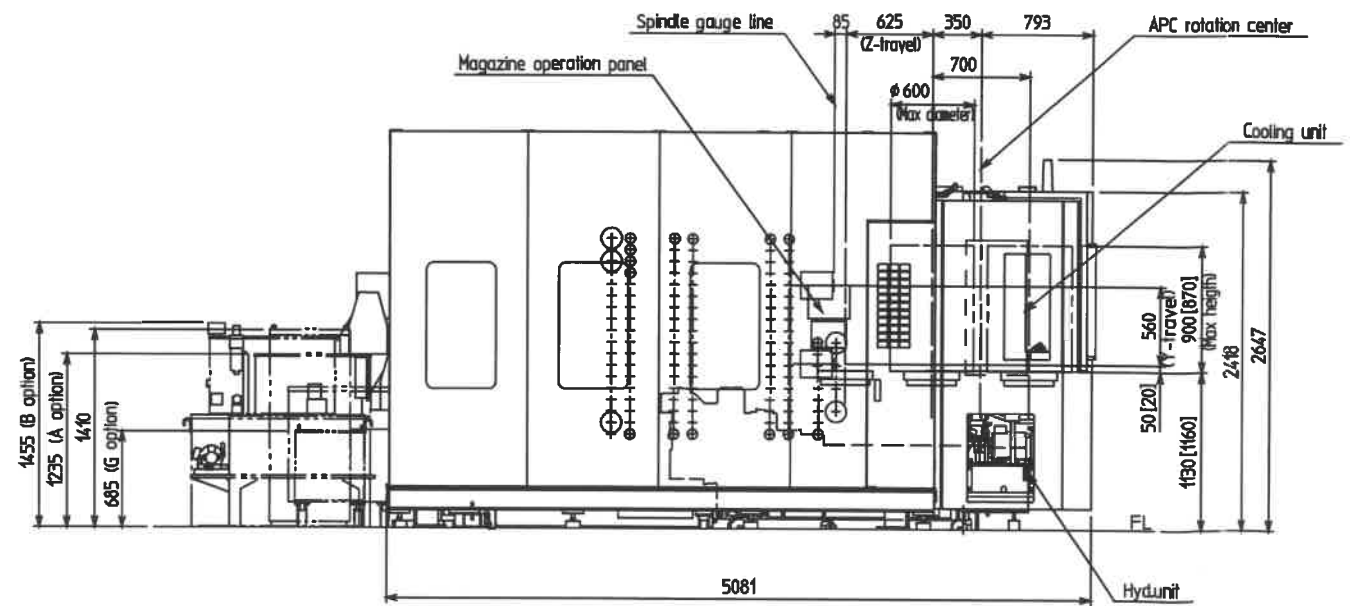
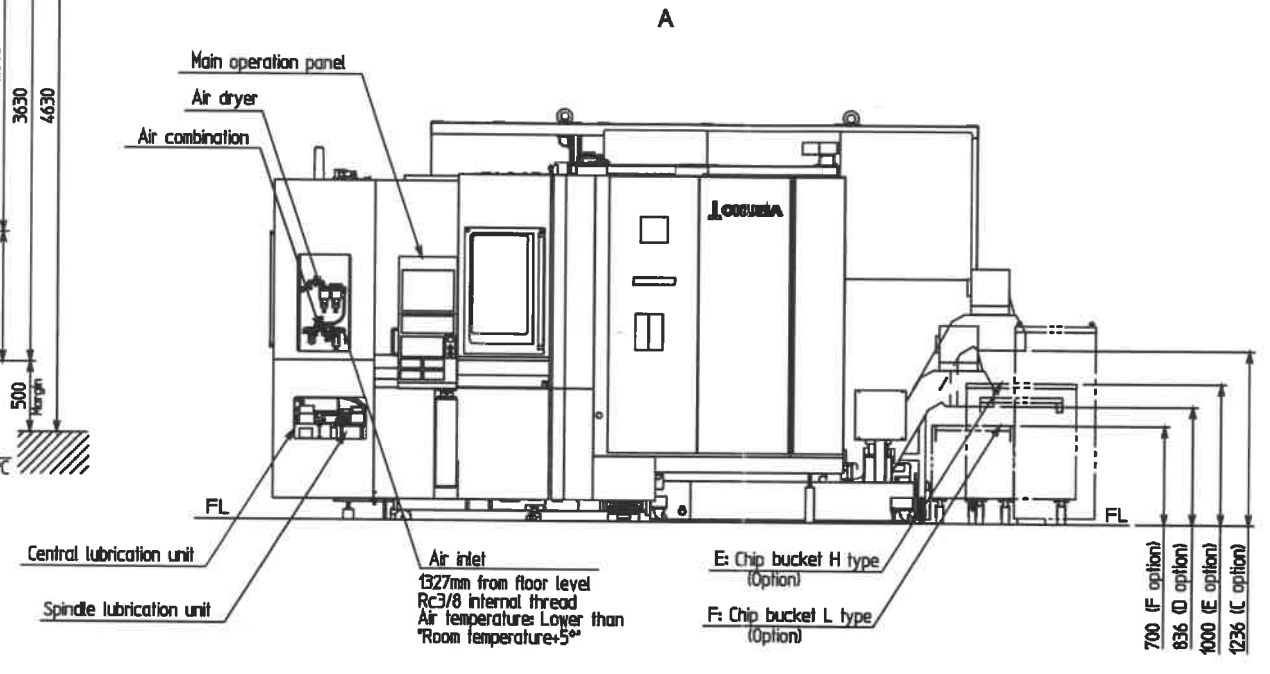


NOTE: 1. Make sure that the machine can be installed and operated at customer's site without interference.
 2. The maximum height of the machine from the floor level is about 2839mm.
 3. Space for maintenance must be secured as indicated in the installation plan.
 4. Required pneumatic source is 0.5MPa and 900 liter/min(ANR).
 5. Levelness of the concrete foundation surface shall be kept within 10mm.
 6. [] : Pallet with T-slots.

Option.
 A: Through the spindle coolant 15MPa
 B: Through the spindle coolant 7MPa
 C: Lift up conveyor H1200
 D: Lift up conveyor H800
 E: Chip bucket H type
 F: Chip bucket L type
 G: Ball screw cooling device



MB-4000H	Horizontal Machining Center
Dimensional Drawing	
110 to 146-tool ATC, 2 pallets-APC	
Lift up conveyor	
DWG No.	10-644-300-101 TS
OKUMA Corporation	

Any technical information is subject to change without notice.